

## FIELD PROFILE MEASUREMENT AND TUNING OF THE 3½ CELL SRF-GUN

A. Arnold<sup>2</sup>, H. Büttig<sup>1</sup>, D. Janssen<sup>1</sup>, J. Teichert<sup>1</sup>, P. Murcek<sup>1</sup>

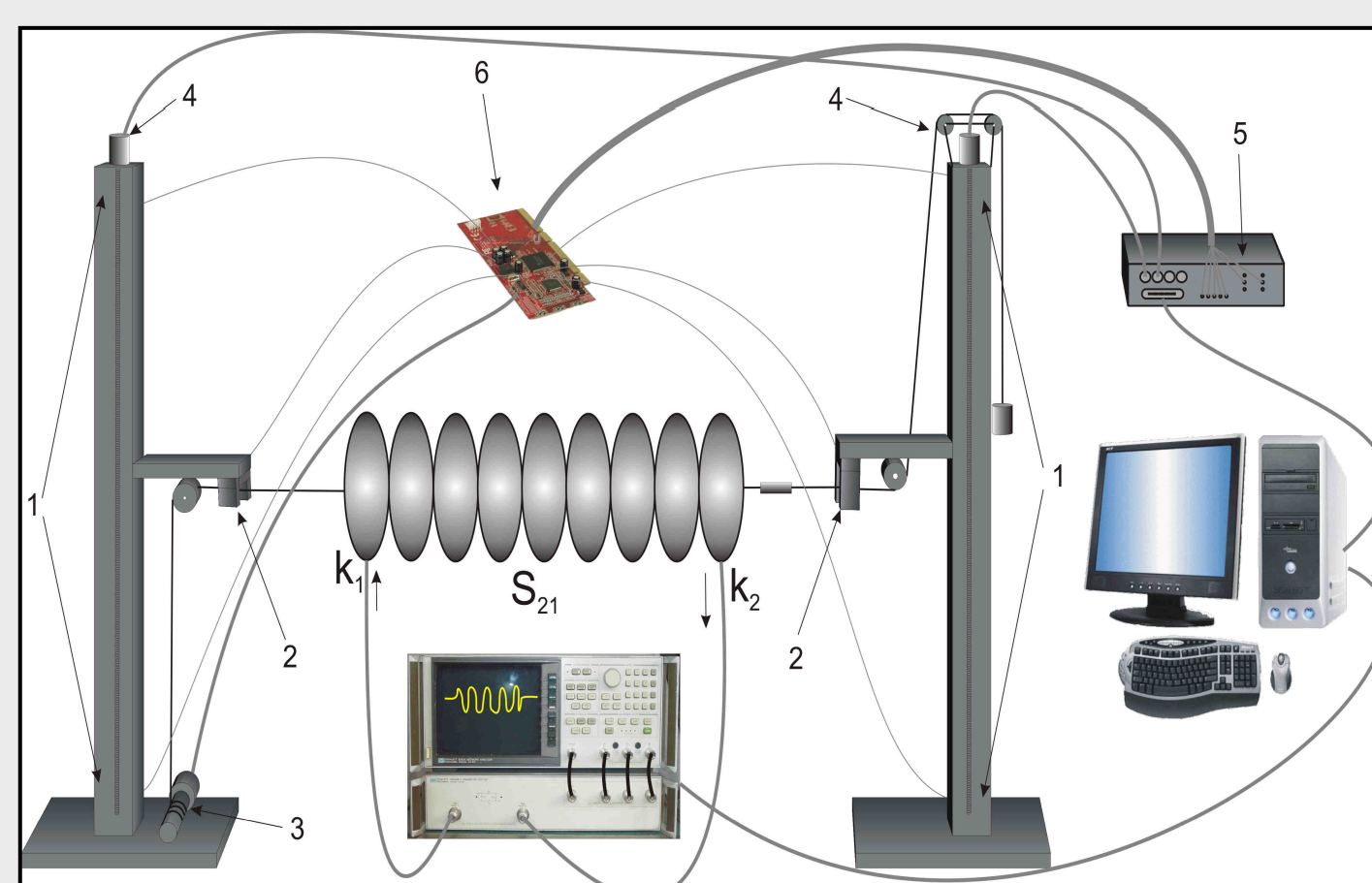
### Introduction

Since the proof-of-principle experiment on the SRF gun in 2002 [1] progress was made to build a 3 ½-cell prototype injector at the ELBE facility at FZ-Rossendorf. Fabrication of two 3 ½-cell cavities at ACCEL (RRR 40 and RRR 300) has been finished. Before etching and rinsing the cavities at DESY, the field profile has been measured before and after tuning at FZ-Rossendorf by using the hardware and software presented here.

### Hardware

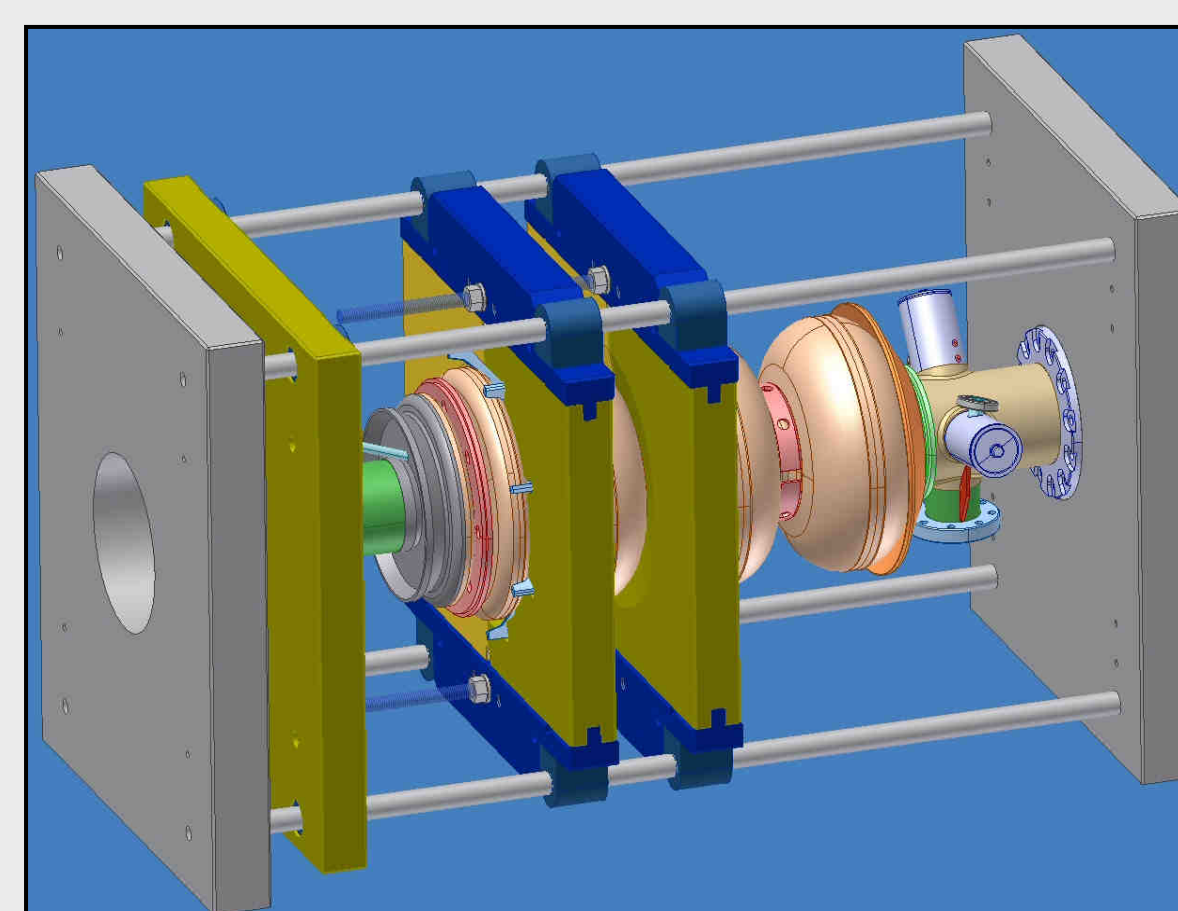
A cavity tuning machine with integrated bead pull measuring device has been built. In a first step the pc-controlled bead pull measuring device was developed and tested with several cavities. A pillbox resonator was machined and used to calibrate different beads [2].

In a second step this device has been integrated into the tuning machine.

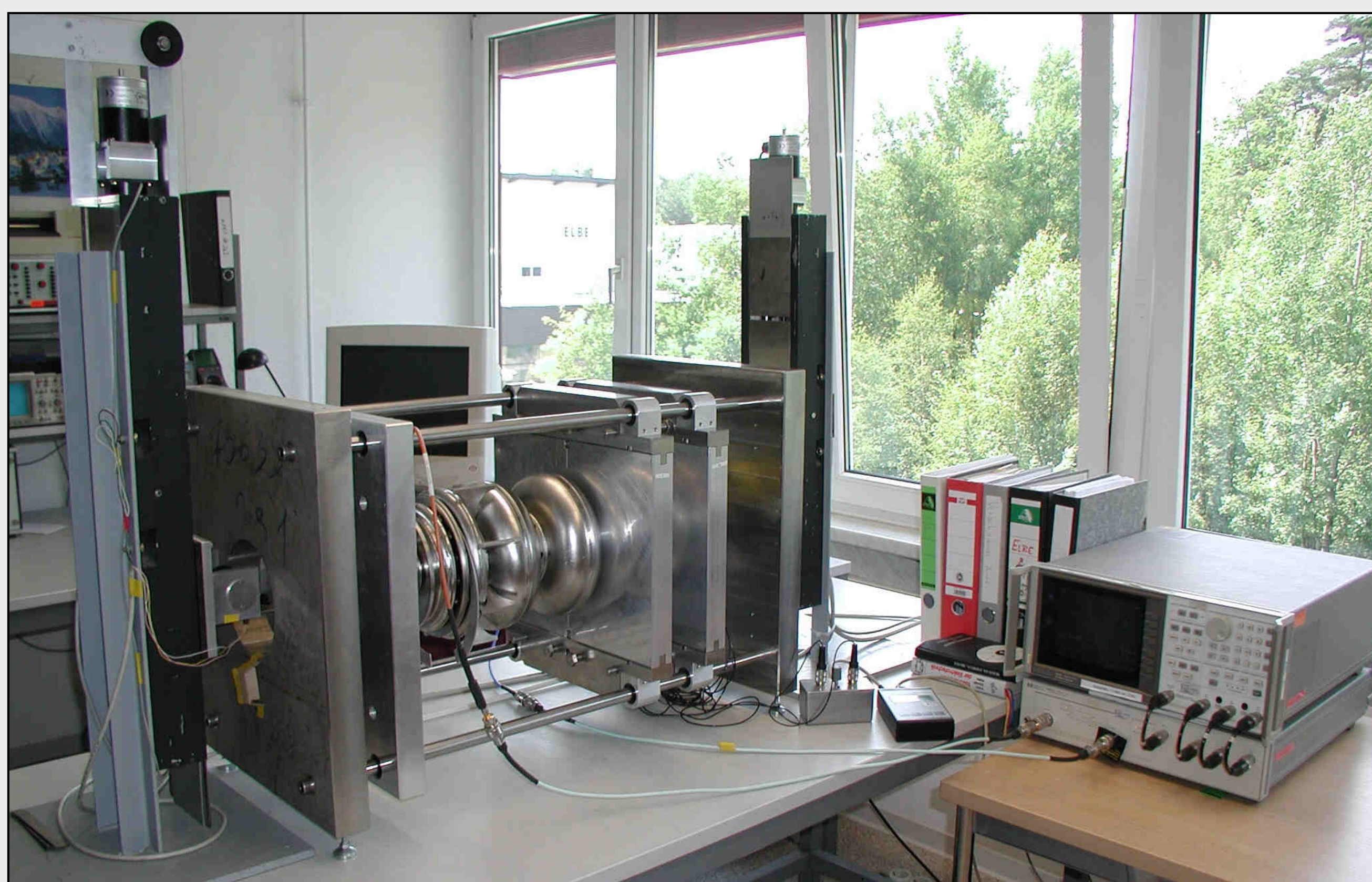


PC-Controlled Bead Pull Measuring Device (Principle)

- 1: Sensors-vertical position, 2: Sensors horizontal Pos.,
- 3: DC-Motor (bead pull drive), 4: Stepper motor (vertical pos.),
- 5: Motor control box, 6: Sensor hardware,



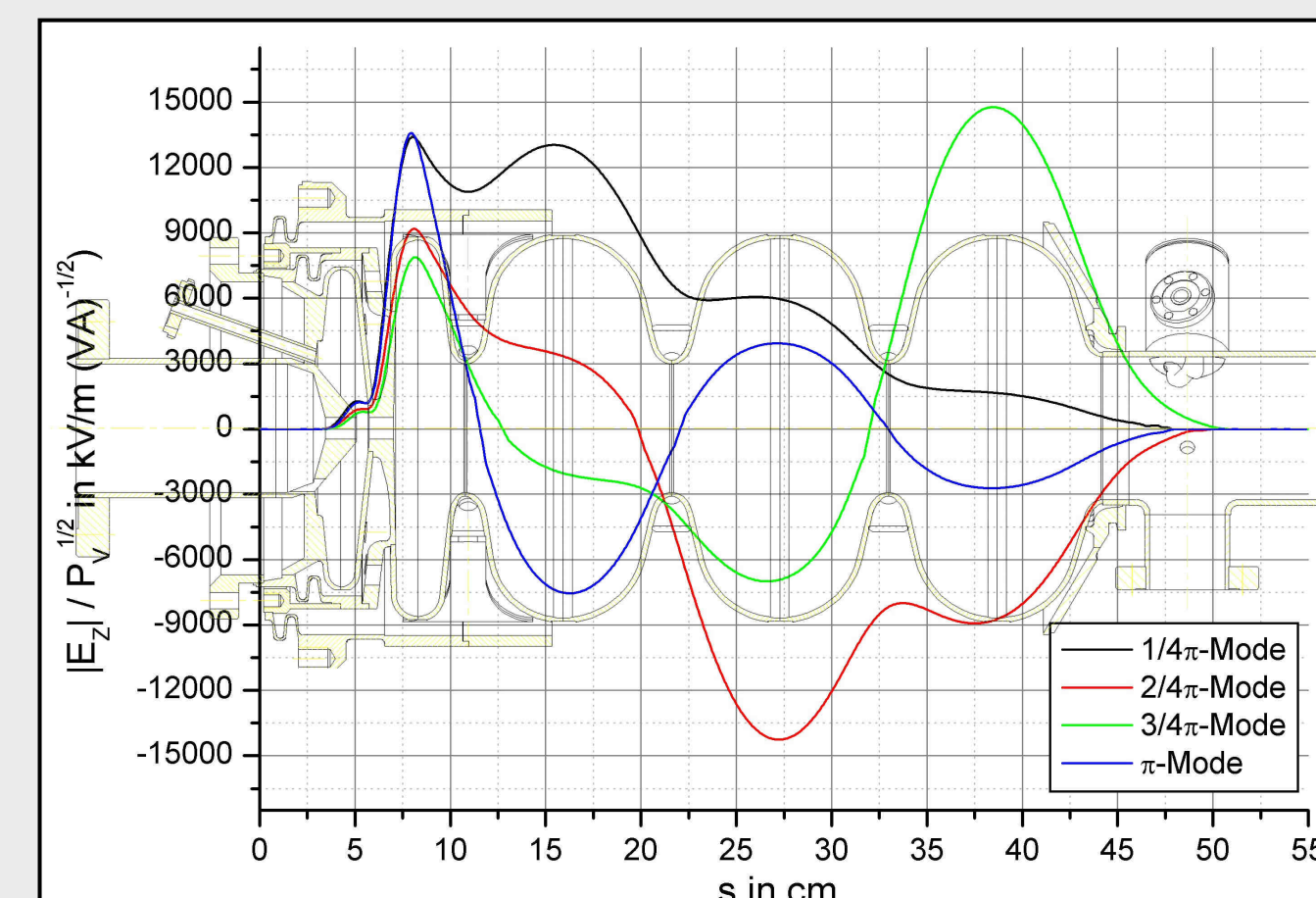
3D-CAD-Model of the tuning machine used to push and pull each cell to the right frequencies



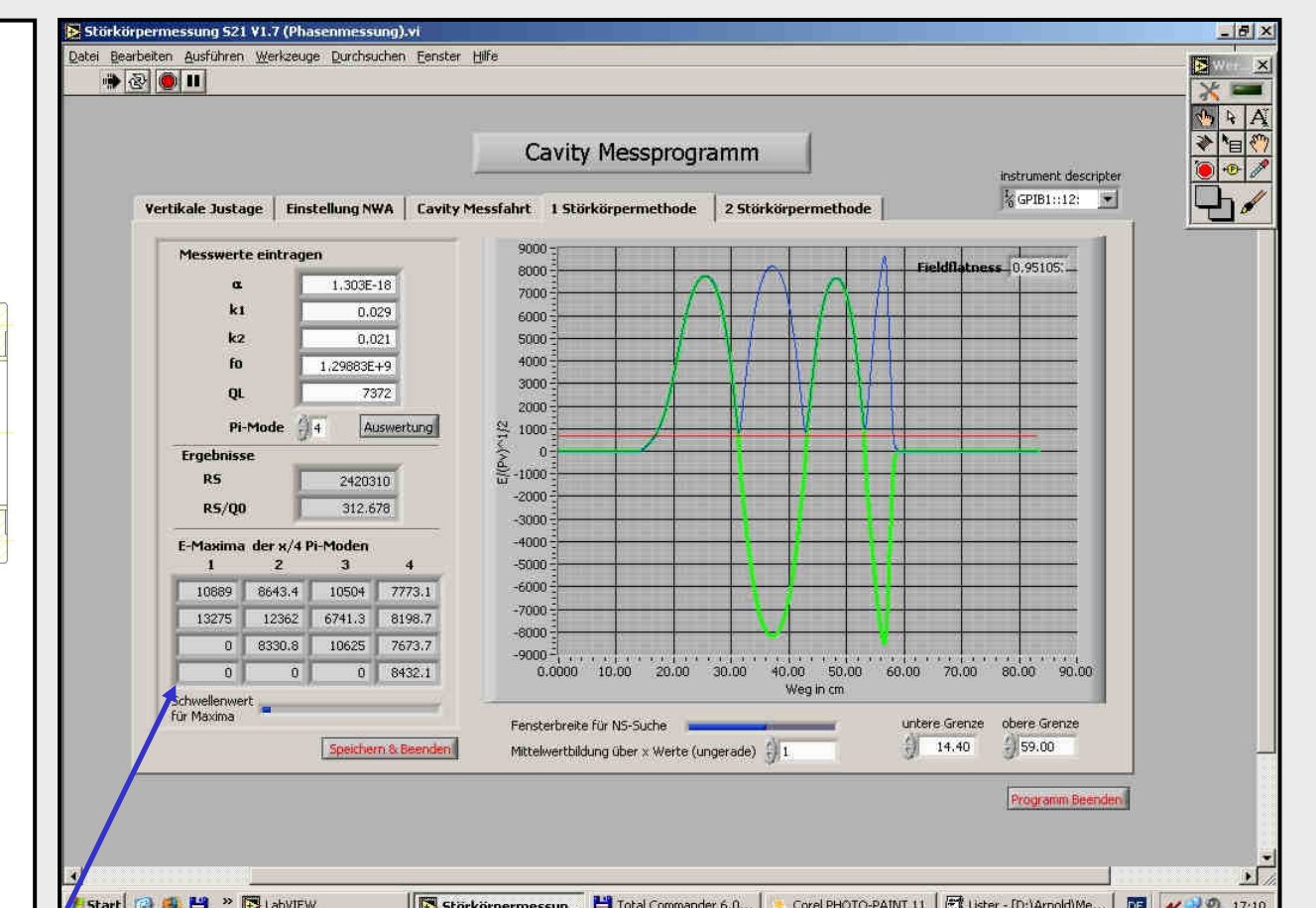
setup of the cavity tuning machine with integrated bead pull measuring device

### Software

Based on the work presented in [3,4,5,6] a LabView based program was written to control the bead pull measuring device.



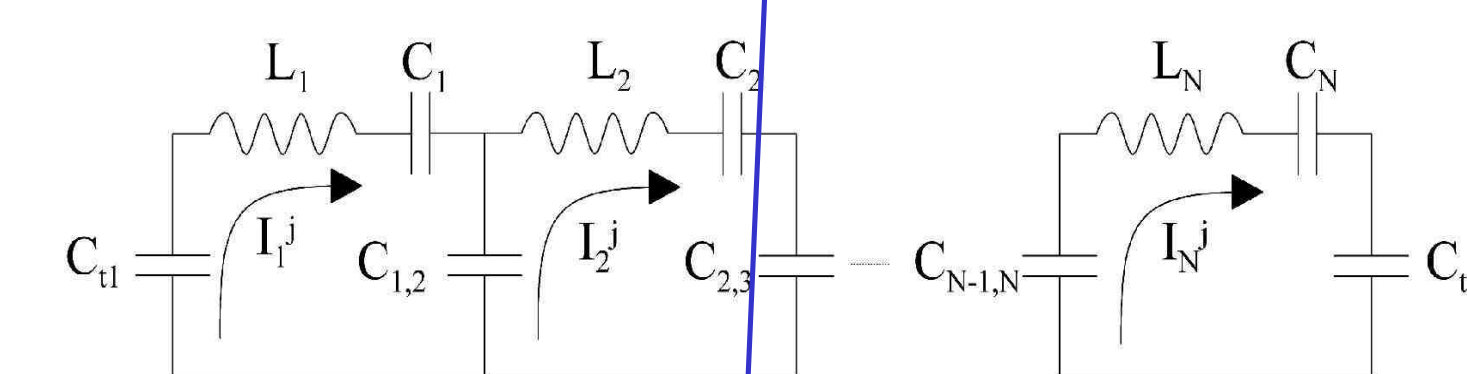
field profiles of the Passband-Modes before tuning



field profile after „rough“-tuning of all four cells. These amplitudes are fitted to the MathCad program to calculate the next tuning step.

### Tuning Algorithm

Equivalent network of an arbitrary cavity



With Kirchhoff's loop rules one receive the eigenvalue matrix equation for the equivalent network with  $\Omega^j$  as the eigenvalues and  $I_n^j$  as the corresponding  $j^{\text{th}}$  column eigenvector.

$$A \cdot I^j = \Omega^j I^j, \quad \Omega^j = \left( \frac{\omega^j}{\omega_0} \right)^2 \quad (1.1) \quad \omega_0^2 = \frac{1}{LC}, \quad 1 + \delta_n = \frac{C}{C_n}, \quad k_{n,n+1} = \frac{C}{C_{n,n+1}}, \quad \gamma_{1,2} = \frac{C}{C_{1,2}} \quad (1.2)$$

$$A = \begin{bmatrix} 1 + \delta_1 + k_{1,2} + \gamma_1 & -k_{1,2} & 0 & \dots & 0 \\ -k_{1,2} & 1 + \delta_2 + k_{2,1} + k_{2,3} & -k_{2,3} & \dots & 0 \\ 0 & -k_{2,3} & 1 + \delta_3 + k_{3,2} + k_{3,4} & \dots & \vdots \\ \vdots & \vdots & \vdots & \ddots & -k_{N-1,N} \\ 0 & 0 & \dots & -k_{N-1,N} & 1 + \delta_N + k_{N-1,N} + \gamma_2 \end{bmatrix} \quad (1.3)$$

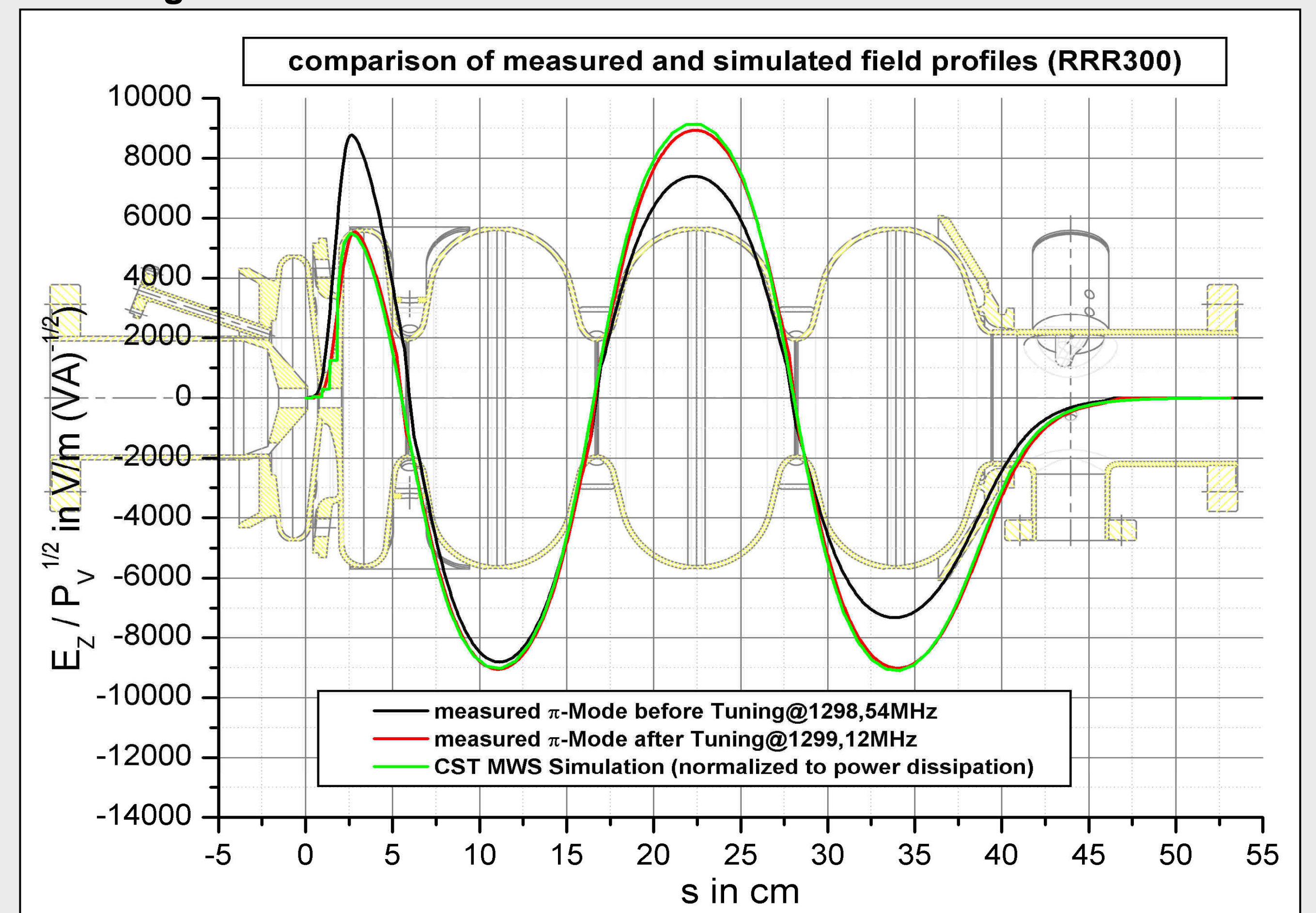
By measuring the amplitudes  $I_n^j$  of all  $j^{\text{th}}$  TM<sub>010</sub>-Modes in each  $n^{\text{th}}$  cell one obtain the characteristic matrix A by the matrix equation

$$A = J \cdot D \cdot J^{-1}, \quad J = \begin{bmatrix} I_1^1 & \dots & I_1^j & \dots & I_1^N \\ \vdots & \ddots & \vdots & \ddots & \vdots \\ I_n^1 & \dots & I_n^j & \dots & I_n^N \\ \vdots & \ddots & \vdots & \ddots & \vdots \\ I_N^1 & \dots & I_N^j & \dots & I_N^N \end{bmatrix}, \quad D = E \cdot \begin{bmatrix} \Omega^1 \\ \vdots \\ \Omega^j \\ \vdots \\ \Omega^N \end{bmatrix} \quad (1.4)$$

By solving the correction matrix P with the favoured current magnitudes at the  $\pi$ -Mode frequency, one get the amount to tune each capacitor for the desired field profile.

$$(A + P) I_{\text{meas}}^j = \Omega_{\text{meas}}^j I_{\text{meas}}^j \quad (1.5) \quad P = \begin{bmatrix} P_{1,1} & 0 & \dots & 0 \\ 0 & P_{2,2} & \dots & \vdots \\ \vdots & \vdots & \ddots & 0 \\ 0 & \dots & 0 & P_{N,N} \end{bmatrix}, \quad I_{\text{meas}}^N = \begin{bmatrix} 1 \\ -1 \\ \vdots \\ (-1)^{N-1} \end{bmatrix} \quad (1.6)$$

### Tuning Results



### Acknowledgement

We acknowledge the support of the European Community-Research Infrastructure Activity under the FP6 "Structuring the European Research Area" programme (CARE, contract number RII3-CT-2003-506395) and the support of the German Federal Ministry of Education and Research grant 05 ES4BR/1/8.

### References

1. D.Janssen et.al.: , NIM A507 (2002) 314.
2. A.Arnold: Aufbau eines Störkörpermessplatzes für Hohlraumresonatoren, (Praktikumsbericht, TU Dresden, Institut für Nachrichtentechnik, 2005).
3. C.Cooper: Single Iteration Tuning for Multicell RF Cavities for Cornell ERL Cornell Univ. Ithaca, 2003.
4. C.Peschke: Messung und Berechnung zu longitudinalen und transversalen Shuntimpedanzen....., Diplomarbeit, J.W.Goethe Univ. Frankfurt, 1995.
5. W.Müller: Untersuchung zu Moden höherer Ordnung in konstanten und variierten Beschleunigerstrukturen ....., Dissertation, J.W.Goethe Univ. Frankfurt, 2000.
6. F.Marhauser: Bead Pull Measurements for the BESSY Prototype Cavity, 2001.